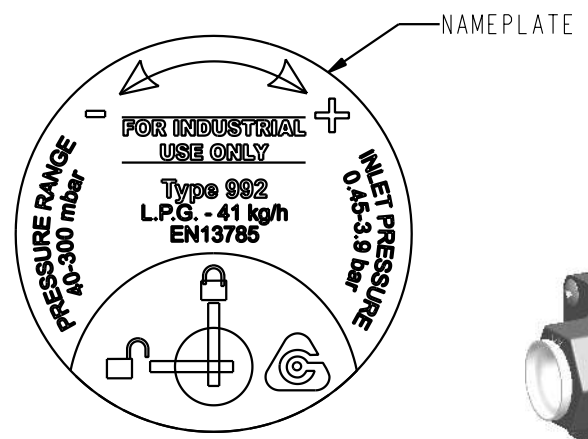
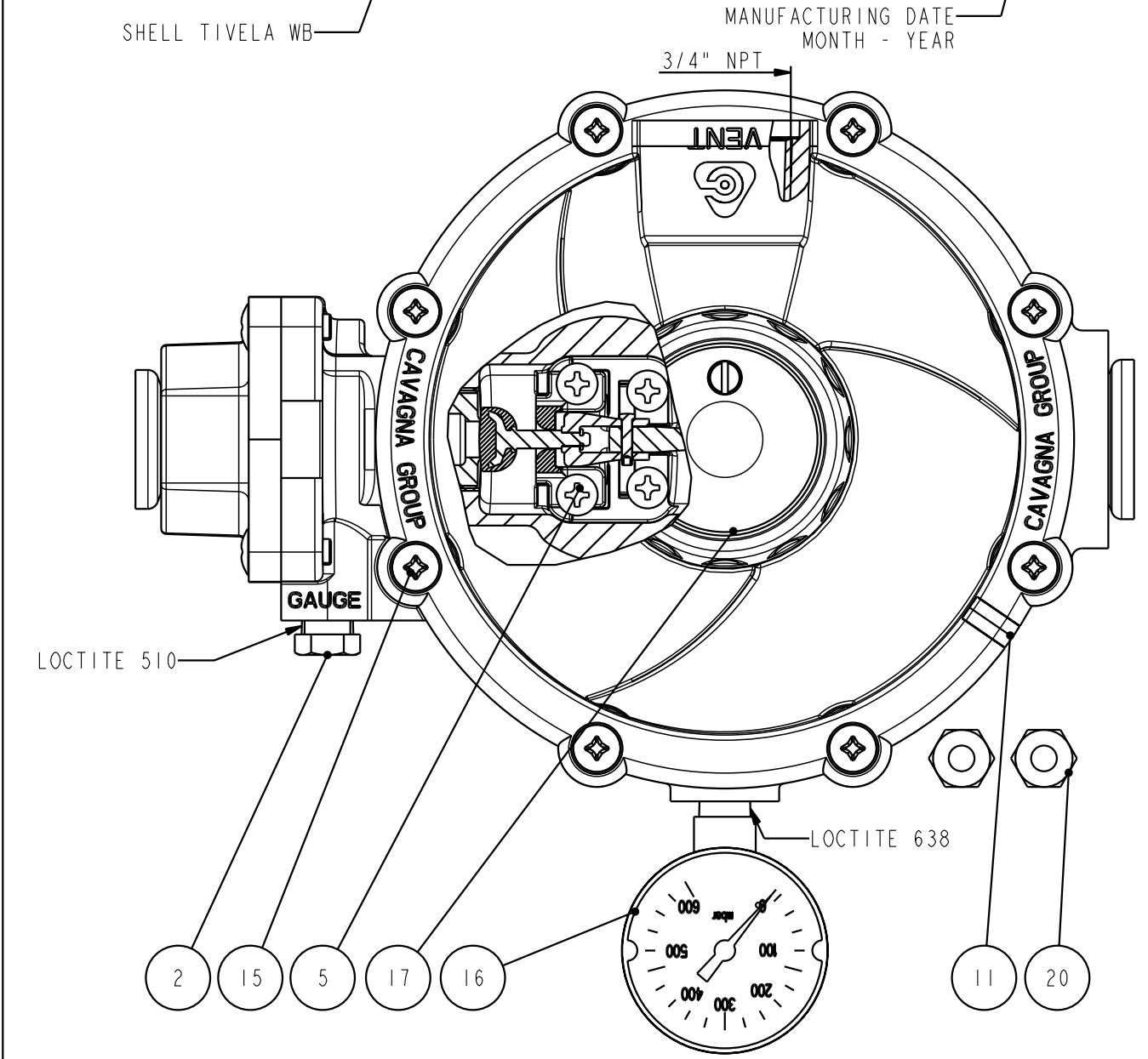
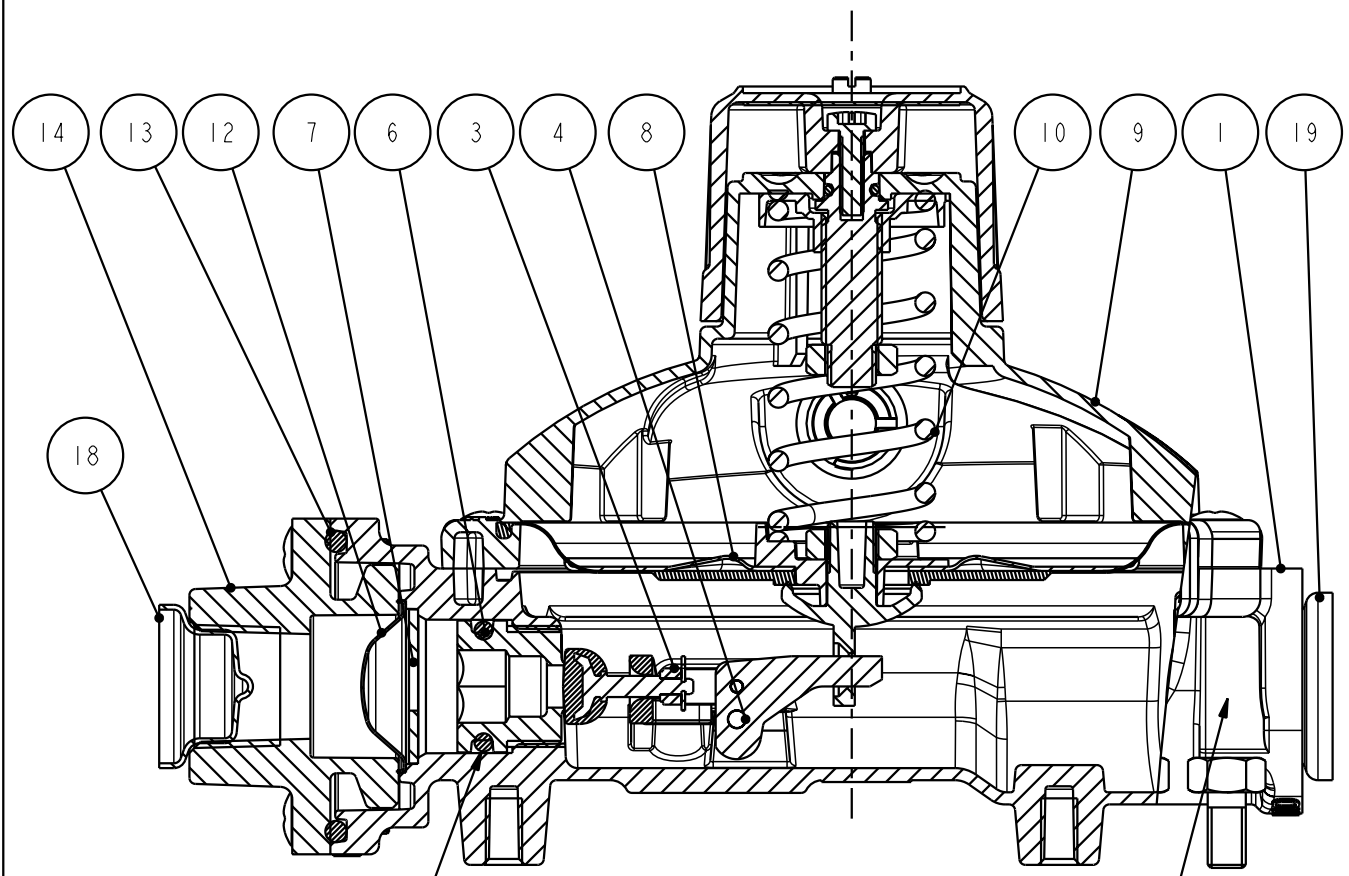


This drawing may not be copied or distributed in any way without the written permission of Cavagna Group Div. RE.CA. Via Matteotti, 5 - Calvisano - BS - Italy



NO	NO PRODUCT	DENOMINATION	Q.TY
1	00-1-950-0128	S/A PAINTED BODY GREY RAL 7037	1
2	19-1-110-0502	PLUG 1/8" - 27 NPT	1
3	02-1-950-0035	LEVER ARM LP	1
4	05-1-110-0043	LEVER PIN LPGAS EQUIPMENT USA	1
5	14-1-110-0003	SCREW-SELF-TAPPING-POZI-M4 X 10	4
6	03-1-950-0081	S/I ORIFICE - M20 - Ø7	1
7	15-1-110-0106	WASHER	1
8	09-1-950-0148	DIAPHRAGM ASSEMBLY- (REG TYPE 99)	1
9	01-1-950-0168	S/A COVER FOR ADJUSTABLE REGULATOR TYPE 99	1
10	07-1-110-0422	SPRING FOR ADJUSTABLE REGULATOR (0-300 mbar)	1
11	21-1-110-0193	LOCK CLIP	1
12	17-1-110-0066	Ø28.5 FILTER 50 MESH STABILIZED	1
13	04-1-110-0583	O RING Ø44.45 x 3.53	1
14	20-1-950-0113	S/A PAINTED FLANGE Rp1/2" (GREY RAL 7037)	1
15	14-1-110-0049	SCREWS M5 - L=16mm	12
16	50-1-110-0005	MANOMETER 0-600 mbar (74/76 REG)	1
17	18-1-110-2652	NAMEPLATE FOR ADJUSTABLE REGULATOR	1
18	19-1-110-2083	THREAD PROTECTOR FOR 1/2"NPT	1
19	19-1-110-2086	THREAD PROTECTOR FOR 3/4"NPT	1
20	14-1-950-0008	S/A SCREW IN BAG	1
21	34-1-110-1078	INSTRUCTION FOR TYPE 992	1
22	23-1-210-0403	SINGLE-BOX FOR RESIDENTIAL REGULATOR	1
23	23-1-510-0051	STANDARD BOX (R76)	1

	DENOMINATION		ADJUSTABLE SECOND STAGE REGULATOR		LPG 40-300 mbar 41 kg/h	
	RECA		N.A.		N.A.	
MODEL	ORIFICE	INLET		OUTLET	SHARED	PROD. INT. GROUP
992	7	Rp 1/2 ISO7		Rp 3/4" FEMALE	N.A.	-
PERFORMANCE DOC.	COUNTRY	COUNTRY SPECIFIC	WEIGHT	SCALE	MODIFY FILE	PRODUCT NO
N.A.	N.A.	EN13785	N.A.	4:5	N.A.	99-1-290-0007
PROD. EVOLUTION	PROJECT NO	RELEASE LEVEL	DRAWN BY	VERIFIED BY	APPROVED BY	DATE
DEFINITIVE	N.A.	APPROVED	PEDRINI M.	TOMASELLI L.	SCHLICK B.	18/03/15